



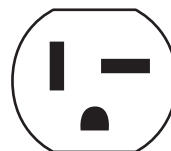
POWER PACK - AIR COOLED

PREMIUM - 1 PUMP - 3,600 BTUs

- Engineered by beer-industry experts for performance and value.
- Digital thermostat for accurate glycol bath temperature.
- Expanded urethane foam insulates cabinet to maintain glycol temperature and minimize condensation.
- Exterior sight glass to verify glycol bath level.
- Anti-vibration pads reduce motor noise.
- Rugged stainless steel cabinet.



MMPP4302



5-20P



SPECIFICATIONS

PART NO.	DESCRIPTION	SHIPPING WEIGHT
MMPP4302	Air cooled power pack, 1 pump and motor	71 kg
		157 lbs

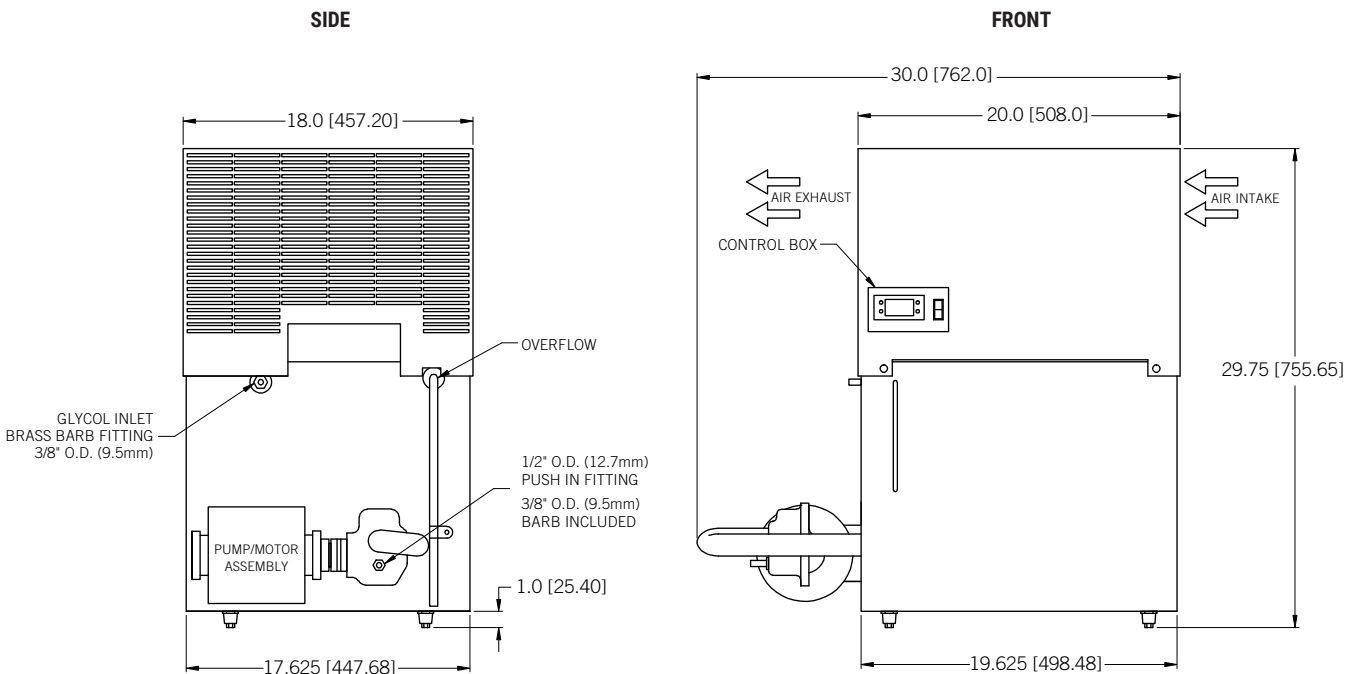
OPERATING PERFORMANCE

COMPRESSOR	1/2 HP	REFRIGERANT	R-513a*
BTU PER HOUR	3,600	CHARGE	0.45 kg (16 oz)
PLUG TYPE (NEMA #)	5-20P	REFRIGERANT RUNNING PRESSURE	18 (low) 140 (high)
CORD LENGTH	8'	BATH CAPACITY	43.5 litre (11.5 gallons)
VOLTAGE	115	PUMP TYPE	Rotary Vane
RUNNING	15.4A	PUSH IN CONNECTOR	12.7mm (1/2") O.D.

*Beginning January 2023: Charged with R513a refrigerant

*Prior to January 2023: Charged with R134a refrigerant

DIMENSIONS



Toll-Free: 1-866-327-4159
www.micromatic.com

West

19791 Bahama St.
Northridge, CA 91324
Tel. (818) 701-9765
Fax. (818) 701-9844

Central

10726 North Second St.
Machesney Park, IL 61115
Tel. (815) 968-7557
Fax. (815) 968-0363

Southeast

15111 Dispense Ln.
Brooksville, FL 34604
Tel. (352) 799-6331
Fax. (352) 796-2429

Northeast

4601 Saucon Creek Rd.
Center Valley, PA 18034
Tel. (610) 625-4464
Fax. (610) 625-4466